

SPECIFICATIONS of 10mm LED with Wire Attached for 12V AC/DC

http://www.plasmaled.com/10mm_led.htm

Specifications:

- 25 cm cable length
- Source Material: InGaN !
- Emitting Colour:12VDC 10mm 40° 5-Chips 0.5 Watt
- LENS Type: Water clear

White: Luminous Intensity-MCD: Min: 275,000 mcd Max: 285,000 mcd

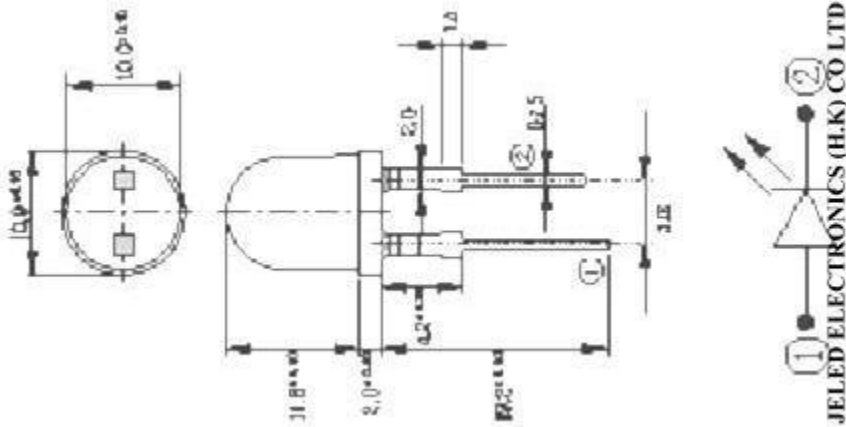
Blue: Luminous Intensity-MCD: Typ: 155,000 mcd

Red: Luminous Intensity-MCD: Typ: 160,000 mcd

Green: Luminous Intensity-MCD: Typ: 200,000 mcd

UV: Luminous Intensity-MCD: Typ: 11,000 mcd

- Reverse Voltage:5.0 V
- DC Forward Voltage: Typical: 12 V Max: 15V
- DC Forward Current:100mA
- Viewing Angle:40 degree
- Lead Soldering Temp:260°C for 5 seconds



Absolute Maximum Ratings at Ta=25°C

Items	Symbol	Absolute maximum Rating	Unit
Power Dissipation	PD	500	mW
Forward Current(DC)	IF	100	mA
Peak Forward Current*	IFP	150	mA
Reverse Voltage	VR	5	V
Operation Temperature	Topr	-40~85	/
Storage Temperature	Tstg	-10~100	/
Lead Soldering Temperature	Tsol	Max.260°C for 5 sec Max. (3mm from the base of the epoxy bulb)	

Pulse width $\leq 0.1\text{msec}$ duty $\leq 1/10$

Electrical/Optical Characteristics at Ta=25°C

Items	Symbol	Condition	Min.	Typ.	Max.	Unit
Forward Dissipation	VF	IF=100mA	6	12	15	V
Reverse Current(DC)	IR	VR=5V	/	/	10	uA
Dominant Wavelength	λ_D	IF=100mA	X:0.3 Y:0.3	/	X:0.34 Y:0.34	nm
Luminous Intensity	IV	IF=100mA	/	275,000	280,000	mcd
50% Power Angle	/	IF=100mA	/	40	/	deg